

DCT450

BATTERY-POWERED ELECTRIC VEHICLE ON CRAWLERS
FOR LOADS **UP TO 450 KG**

ZERO EMISSIONS

QUIET

LOW MAINTENANCE



PO Box 1468 Auburn St. Wollongong NSW 2500
Phone: 1300 763 444 Fax: +61 2 4226 2208
Email: sales@spacepac.com.au ABN 98 002 454 462



Remote control for the highest safety standards



Integrated battery charger



Designed to climb the stairs

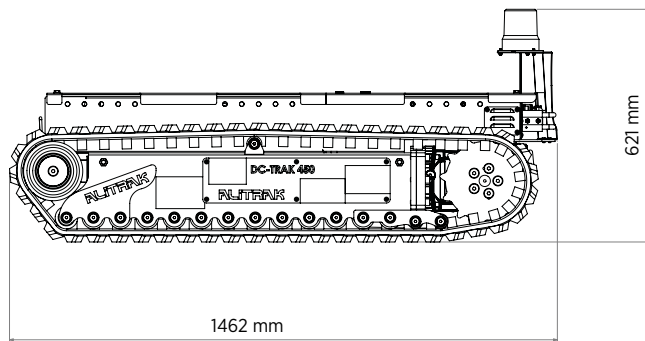
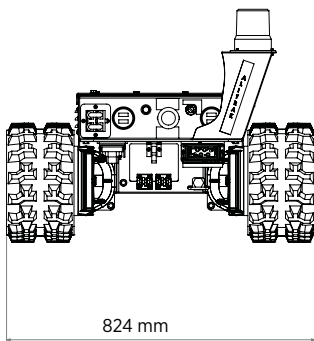


Set up to install hydraulic pump accessory

The DCT-450 is an electric vehicle on batteries. Featuring crawlers with special tread design and equipped with two powerful motors, has been designed to meet the most challenging ground conditions and to easily climb the stairs. The driving system employed in the DCT-450 is the remote control, which ensures the highest safety standards. It is possible to install an hydraulic pump for the management of skip tipping.



www.ALITRAK.com.au

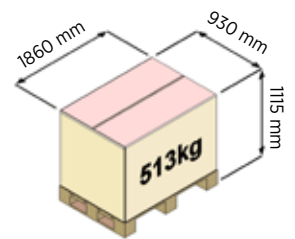


FEATURES

Equipment body	On crawlers
Driving control type	Remote control
Accelerator	2 Joysticks
Battery charger	Integrated
Dashboard display	Remaining battery charge Equipment failure indications Hour meter
Parking brake	Electromagnetic
AGM batteries	4 x 12V/114 Ah C20
Electric motor	2 x 24V/1300 watt S2 30 min.
Operational indicator	Flashing light
Product net weight	463 kg

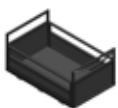
PERFORMANCE

Loading capacity on flat surfaces	450 kg
Max gradient	57%
Max lateral gradient	37%
Forward speed	
Fast	4,5 Km/h
Slow	2,3 Km/h
Reverse speed	
Fast	4,5 Km/h
Slow	2,3 Km/h
Battery recharging time	8 hours



features shown are subject to change without notice

ACCESSORIES



Sided flatbed



Skip



Hydraulic pump and lifter for skip



Hydraulic pump and dozer

ALITRAK[®]
AUSTRALIA

www.ALITRAK.com.au