

# TT-900 - PLUS

## Ultra Terrain Tug

Click here to see the video



### Ultra Terrain Off-Road Use

The TT-Plus is a pedestrian operated electric tug specifically designed for moving trailers and caravans.

**Sideways adjustable handle** to allow improved vision moving caravans and trailers

The TT-Plus couples to the trailers on the rear hitch through an electric lift with a 15cm range eliminating the need to lift the trailer onto the ball mount.

With 2 x 75 A/H traction batteries, it has an autonomy of up to 8 hours of continuous operation.

This greatly reduces the risk of injury to the back or the hands of the operator.

**The Large 410mm diameter driving wheels ensure maximum traction even on rough surfaces**



**Made in Europe**

24/7 Sales & Service Agent



1300 763 444  
[www.spacepac.com.au](http://www.spacepac.com.au)

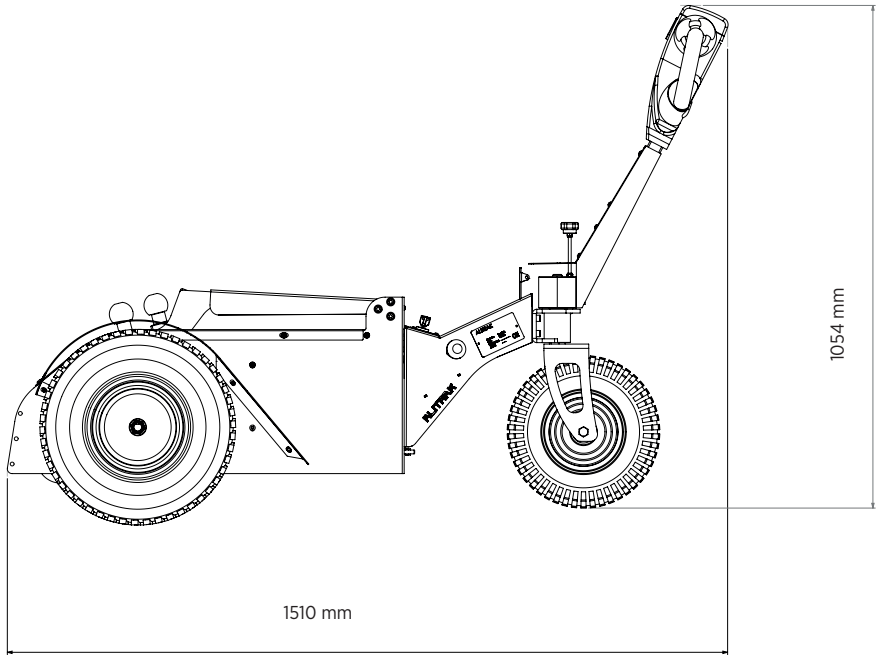
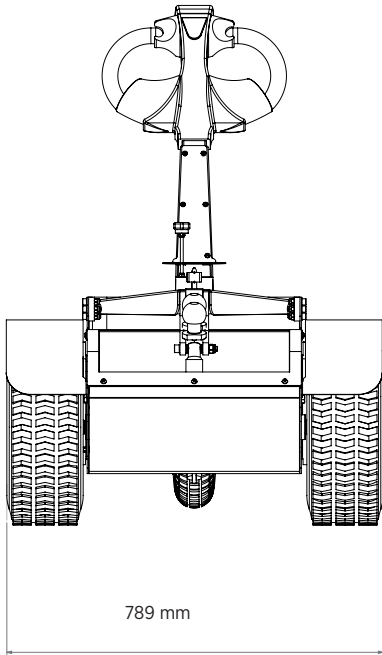
- The power of the TT-Plus allows for a loaded capacity of 300kgs and a pulling capacity of up to 3000kgs
- Gradients of 20% are handled without difficulty
- The TT-Plus is equipped with a swivel tiller head that can rotate 80° for maneuverability and has a forward and reverse speed up to 5kmh.
- The TT-Plus has an electromagnetic brake that blocks the movement when not in operation, preventing slippage while on an inclined ramp.
- Other options are solid, non-marking tires, Remote control and Flashing Safety Lights.

### Specifications:

Pulling Capacity onplane	<b>3 Tonnes (On Castors)</b> <b>12 Tonnes (On Rails)</b>
Loading capacity	300 kg
Motor Power	24V DC 900W
Actuator extension	150 mm
Pulling speed	max 5 km/h
Pushing speed	max 2.5 km/h
Battery charger	On board
Battery Autonomy	approx 8 hrs

### Specifications:

AGM GEL Batteries	2 x 75 AH
Battery recharging time	5 to 8 hours
Parking brake	Electromagnetic with the possibility of release
Machine Weight	146 kg
Driving Wheels Diameter	410 x 166 mm
Part Number	# TT900P (see page 2 for



## Alitrak TT900-PLUS Standard Features



Electric Lifter for lifting the tow ball, to facilitate the engagement of the equipments to carry



TT900-Plus dashboard



Horizontal adjustment of the tiller, to facilitate the towing of bulky loads.



Pivoting wheel allows a minimum of space to steer



## Alitrak TT900-PLUS - Options



TT900-Plus complete with optional Solid Puncture Proof Wheels



TT900-Plus complete with optional Non Marking Wheels and optional Front Hook and Anti Dumping Wheels



Pictures	Part Number	Descriptions	
#	TT900P	Tug Trak 900-PLUS	<input type="text"/>
#	TTRAR	Options ... Front Hook and Anti Dumping Wheels	<input type="text"/>
#	TTNMW	Options ... Non Marking Wheels	<input type="text"/>
#	PPW3	Options ... TUG TRAK PUNCTURE PROOF WHEEL SET (3)	<input type="text"/>
#	TTOLOR	Options ... Operation Light	<input type="text"/>