

## TT-600

### Ultra Terrain Tug

Click here to see the video



ZERO EMISSIONS

Made in Europe

#### Ultra Terrain Off-Road Use

The TT-600 is a three wheeled ZERO emission electric drive pedestrian Tug ergonomically designed to easily move trailers, caravans, wagons on all surfaces.

The Tug Trak reduces the manual effort required to perform repetitive tasks thereby improving productivity and reducing the chance of work related injuries.

The TT-600 has a pulling and pushing capacity of 2000kgs and a loading capacity of 300kgs.

With 2 x 75 A/H traction batteries, it has an autonomy of up to 8 hours of continuous operation.

**The Large 405mm diameter driving wheels ensure maximum traction even on rough surfaces**

**For slippery surfaces, ballast can be added easily.**

- Adjustable height handle to suit all operators
- Folding handle to reduce transport size and costs.
- The compact size of the TT-600 means that it is easily manoeuvred and can be used in small spaces.
- The design allows for pushing or pulling and comes with a standard centre connection post
- With the addition of the optional front pin attachment, trailer ball accessory or the waste container connector, the TT-600 can handle many tasks.
- Other options are solid, non-marking tires and Flashing Safety Lights.

#### 24/7 Sales & Service Agent



1300 763 444

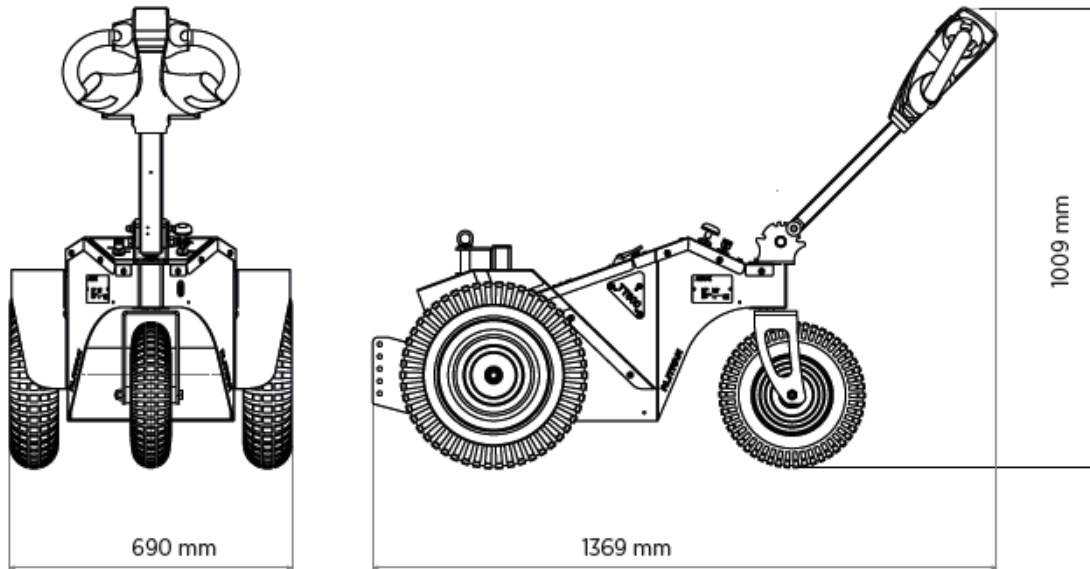
[www.spacepac.com.au](http://www.spacepac.com.au)

#### PERFORMANCE

Pulling Capacity	<b>2 Tonnes (On castors) 8 Tonnes (On rails)</b>
Loading capacity	300 kg
Motor Power	24V 600W
Pulling speed	max 4.5 km/h
Pushing speed	max 2.5 km/h
Battery charger	On board
Battery Autonomy	approx 8 hrs

#### DIMENSIONS

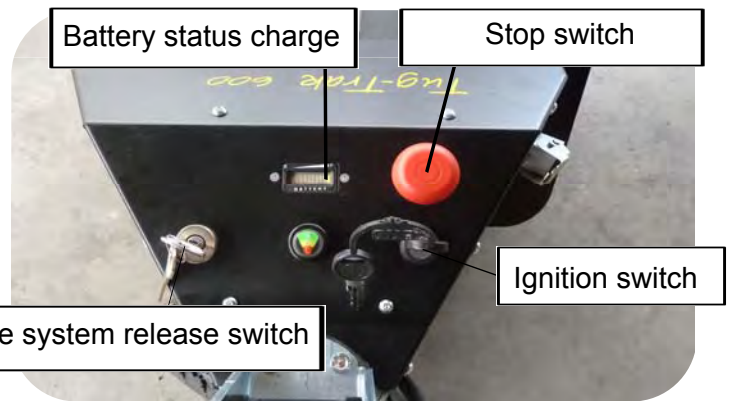
Lead Acid Traction Batteries	2 x 75 AH 24 Volt @ 5 h
2000 Charge-Lifecycle. Optional Gel Batteries 1000 Charge-Lifecycle	
Battery recharging time	5 to 8 hours
Parking brake	Electromagnetic with the possibility of release
Machine Weight	130 kg
Driving Wheels Diameter	405 x 100 mm
Part Number	# TT-600 (see page 2 for options)



## Alitrak TT600 Standard Features



TT600 complete with batteries and charger



TT600 dashboard



Folding and height adjustable tiller to suit all operators and also reduce the transportation cost



Center mount draw hook with drop in pin

## Alitrak TT600 - Options



TT600 complete with optional Front Hook and Anti Dumping Wheels & 240 litre bin attachment and



TT600 complete with optional Non Marking Wheels and optional Front Hook and Anti Dumping Wheels



TT600 complete with optional Front Hook and Anti Dumping Wheels & 240 litre bin attachment and



TT600 complete with optional ballast holder and ballasts

Pictures	Part Number	Descriptions	
#	TT600	Tug Trak 600	<input type="text"/>
#	TTRAR	Options ... Front Hook and Anti Dumping Wheels	<input type="text"/>
#	TTHKTC	Options ... Hook for 240 & 120 Litre Wheelie Bins	<input type="text"/>
#	BAGM84A	Options ... Battery Gel (2 pieces)	<input type="text"/>
#	TTNMW	Options ... Non Marking Wheels	<input type="text"/>
#	TTOLOR	Options ... Operation Light	<input type="text"/>
#	TTTRBM	Options ... Trailer Mount and Ball - Centre Mount	<input type="text"/>
#	TTBH-600	Options ... BALLAST HOLDER (SET2) FOR TT600	<input type="text"/>
#	TTBAL	Options ... BALLAST (SET2) FOR TT600/TT900 (2x7kg)14kg	<input type="text"/>